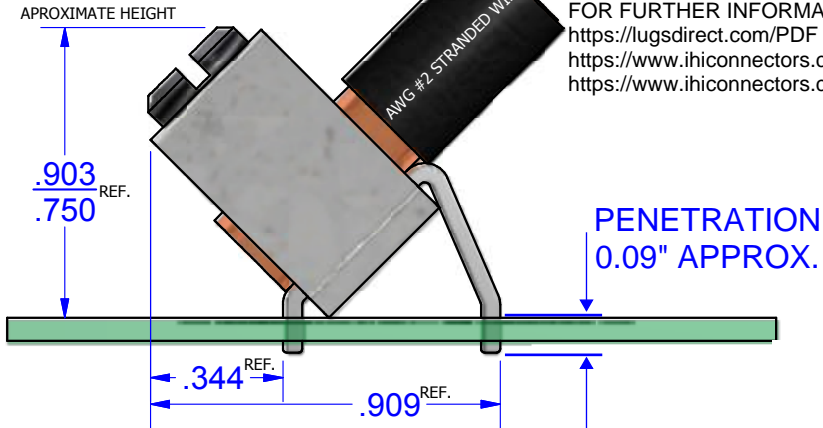
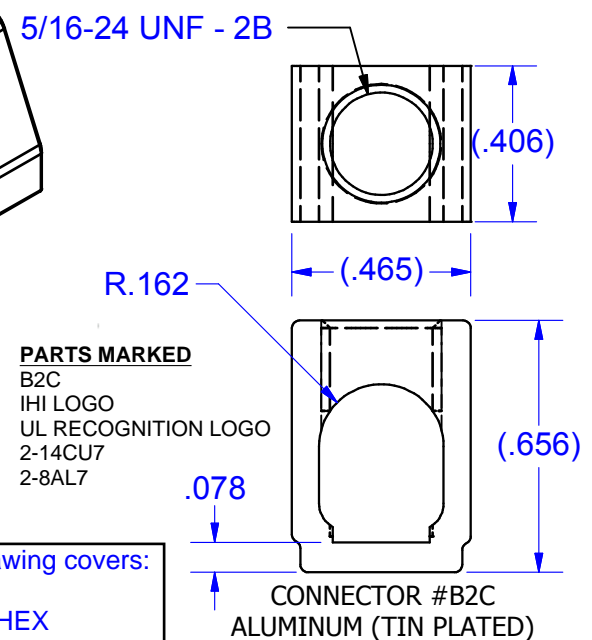
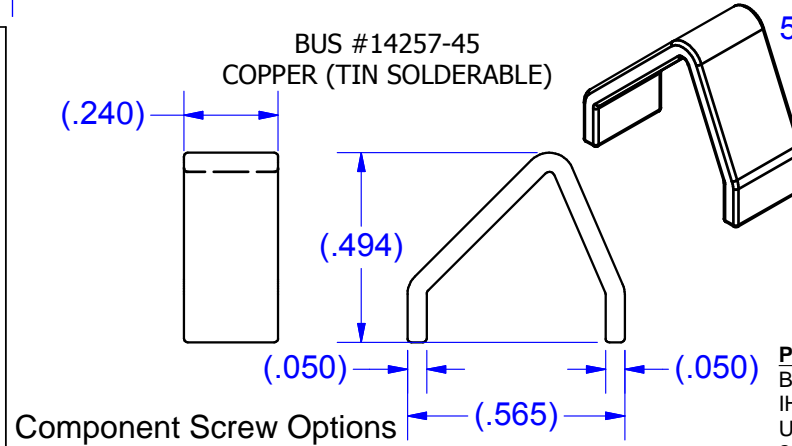
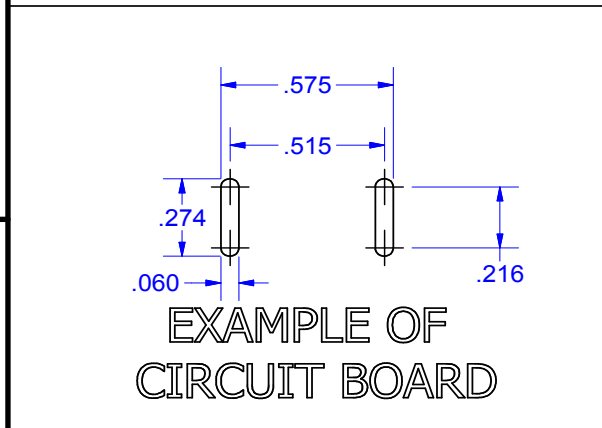
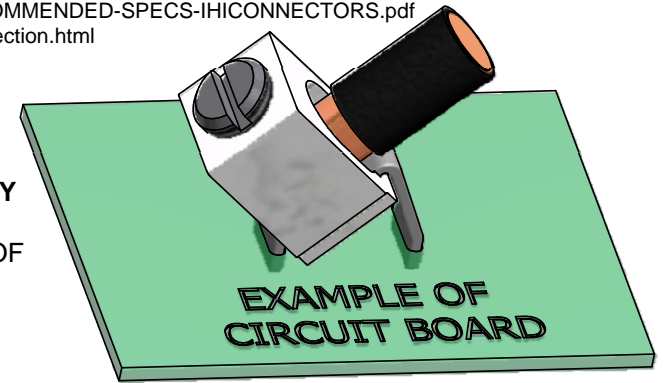


NOT FOR USE WHERE FAILURE CREATES A HAZARD TO HUMAN HEALTH OR SAFETY. ALL PRODUCTS ARE SUBJECT TO THIS FULL DISCLAIMER: <http://www.ihconnectors.com/disclaimer.html>

FOR FURTHER INFORMATION ON THE PROPER USE OF THIS PRODUCT IN SPECIFIC APPLICATIONS SEE <https://lugsdirect.com/PDF Documents/5-16-SLOTTEDSCREW-BIT-RECOMMENDED-SPECS-IHCONNECTORS.pdf>  
[https://www.ihconnectors.com/High\\_Amp\\_Wide\\_Trace\\_PCB\\_Wire\\_Connection.html](https://www.ihconnectors.com/High_Amp_Wide_Trace_PCB_Wire_Connection.html)  
<https://www.ihconnectors.com/Technical-Data-Installation.htm>

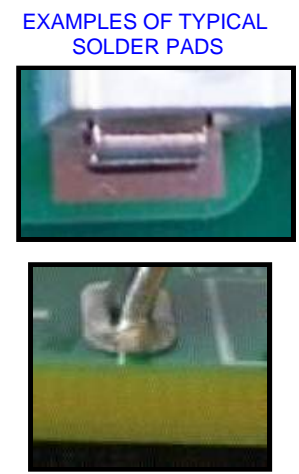


**CONDITIONS OF ACCEPTABILITY** ARE NOMINALLY PROVIDED BY THE TURN PREVENT STAPLES OF MINIMUM REQUIRED CROSS SECTION IN CONJUNCTION WITH ADEQUATE PCB STRUCTURE.

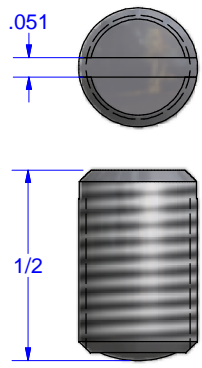


**PARTS MARKED**  
 B2C  
 IHI LOGO  
 UL RECOGNITION LOGO  
 2-14CU7  
 2-8AL7

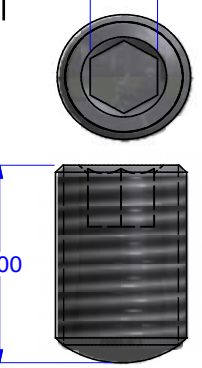
Schematic drawing covers:  
 B2C-PCB-45  
 B2C-PCB-45-HEX  
 B2C-PCB-45-SS



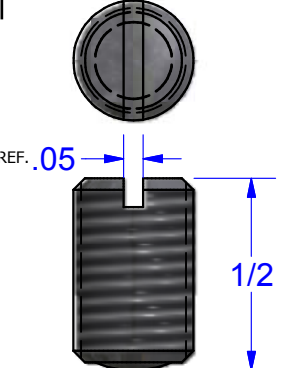
SCREW #12786SS  
 STAINLESS STEEL  
 INSERTED TO BOTTOM  
 OF WIRE HOLE



Screw #12786-HEX  
 Steel (Zinc Plated)  
 4mm 5/32



SCREW #12786/15718/15720  
 Steel (Zinc Plated)  
 INSERTED TO BOTTOM  
 OF WIRE HOLE



THIS DRAWING AND DESIGN ARE THE PROPERTY OF INTERNATIONAL HYDRAULICS, INC., CLEVELAND, OHIO, AND MAY NOT BE DUPLICATED, USED FOR THE BASIS OF DESIGN OR MANUFACTURE WITHOUT THE WRITTEN PERMISSION OF INTERNATIONAL HYDRAULICS, INC., CLEVELAND, OHIO.

**GENERAL TOLERANCES**  
 ±.015 (±0.038)

**MATERIAL:** SEE ABOVE

**FINISH:**

<b>INTERNATIONAL HYDRAULICS, INC.</b>			
TITLE: <b>Connector + bus for PCB Mount 45deg. ASSEMBLED CONNECTOR</b>			
DATE: 11/7/11 <b>11/7/14</b>	DRAWN BY: <b>TDS</b>	DWG NO.: <b>"MULTI" SEE ABOVE</b>	REV: <b>1</b>
<b>IHI CONNECTORS</b>			